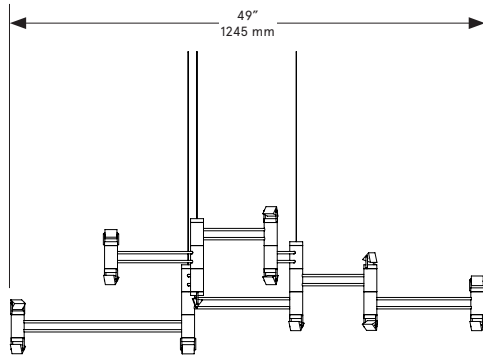
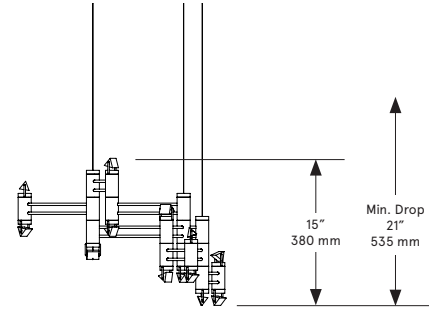


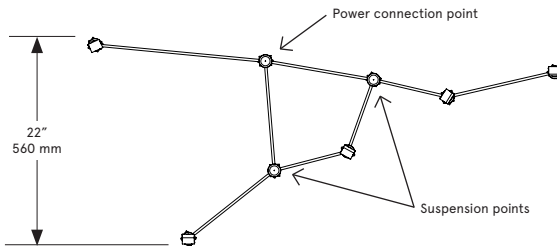
BEC BRITAIN



FRONT



SIDE



PLAN

Aries VIII.I (8.1)

Lead Time

14 - 16 weeks

Dimensions

49 inch x 22 inch x 15 inch H
1245 mm x 560 mm x 380 mm H

Weight

6 lb / 2.7 kg

LED Illumination

24 VDC LED PCB
0-10V dimming
2700 Kelvin

Electrical

Wattage: 18.2 Watt
Lumens: 2184 Lumens
110 - 240 VAC
277 VAC upon request

Installation - Standard

Locally mounted driver
120V Dimming: C-L (Lutron) switching
240V Dimming: 0-10V wireless (Lutron Pico)
Canopy: 9.25 x 1.6255 inch (235 x 41 mm) round
in matching metal finish

Installation - Alternate

Remotely mounted driver
120V Dimming: C-L (Lutron) switching
240V Dimming: 0-10V hardwired
Canopy: 5 x 0.25 inch (127 x 6 mm) round
in matching metal finish

Please inquire for detailed electrical specs

Suspension / Wiring

One 24V low voltage power / suspension
cable to electrical connection.
Aircraft cable to ceiling-mounted adjustable
fasteners.
Variable suspension height.

UL / cUL Listed

Materials

Finished Aluminum
Clear Glass Prism

Standard Finishes

Brushed Brass
Bronze
Satin Nickel
Nickel Brass Contrast

Special Order Finishes

Polished Brass
Polished Nickel
Dark Pewter
Polished Black Nickel
Polished Copper
Smoky Copper

Special Order Glass

Clear Diamond Glass
Hand Painted Diamonds
Fiber Optic Bundles